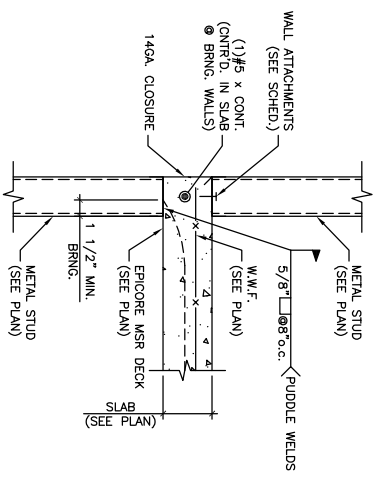
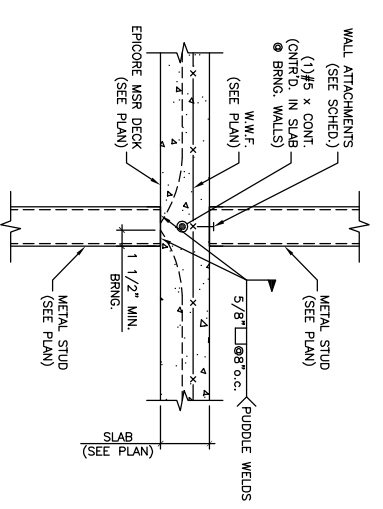


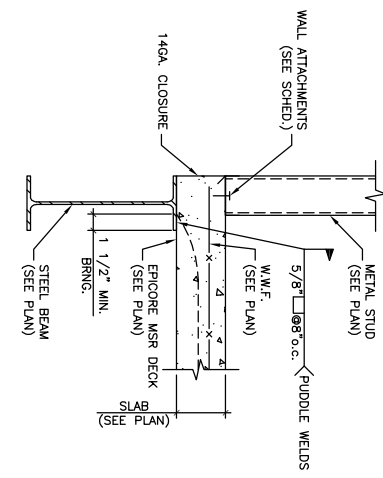
1 E.O.S. PARALLEL TO DECK
96.04 SCALE 1 1/2"-0"



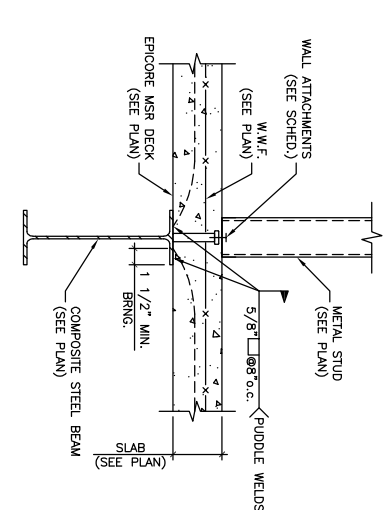
2 EDGE-OF-SLAB PERP TO DECK
96.04 SCALE 1 1/2"-0"



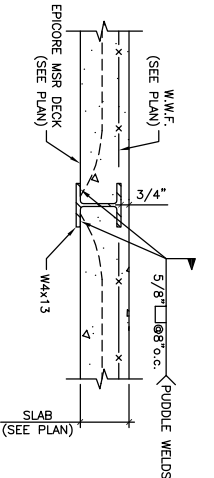
3 TYP INTERIOR BRNG WALL
96.04 SCALE 1 1/2"-0"



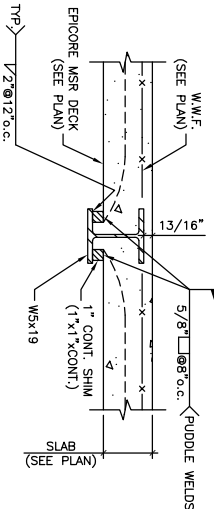
4 EDGE-OF-SLAB PERP TO DECK (AT STEEL BEAM)
96.04 SCALE 1 1/2"-0"



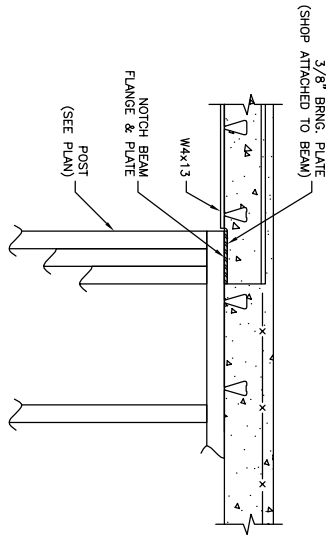
5 TYP INTERIOR BRNG STEEL BEAM
96.04 SCALE 1 1/2"-0"



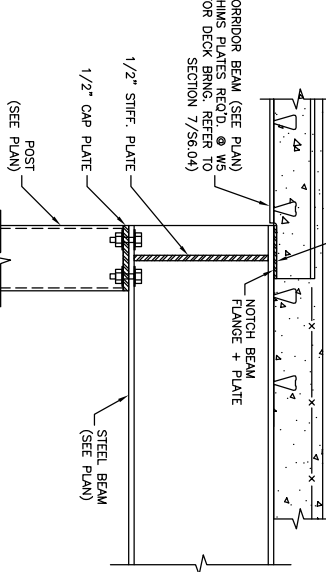
6 TYP INTERIOR BRNG BEAM
96.04 SCALE 1 1/2"-0"



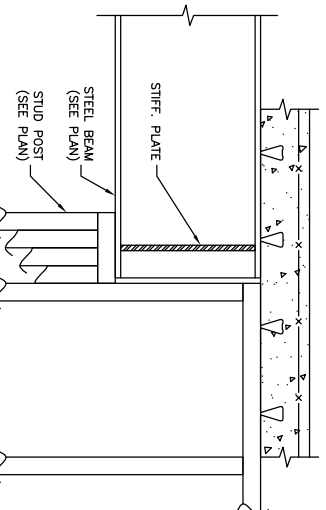
7 INTERIOR BRNG BEAM W/ SHIMS
96.04 SCALE 1 1/2"-0"



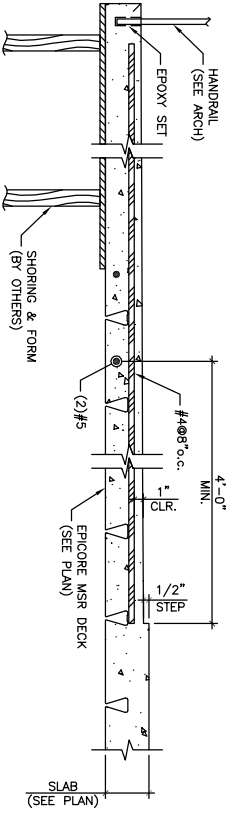
8 BEAM NOTCH AT PANEL
96.04 SCALE 1 1/2"-0"



9 BEAM NOTCH AT BEAM
96.04 SCALE 1 1/2"-0"



10 BEAM POCKET DETAIL
96.04 SCALE 1 1/2"-0"



11 REINF. AND SHORING AT BALCONY
96.04 SCALE 1 1/2"-0"

ISSUED FOR PROGRESS SET ONLY, NOT FOR CONSTRUCTION

SHEET NO:
S6.04

DATE: 01/30/2006
JOB NO.: 05267
DRAWN BY: DWM
CHECKED BY: SH

REVISIONS:

INTECH DESIGNS (INDIA)

COURTYARD
Marriott
Midland, Texas