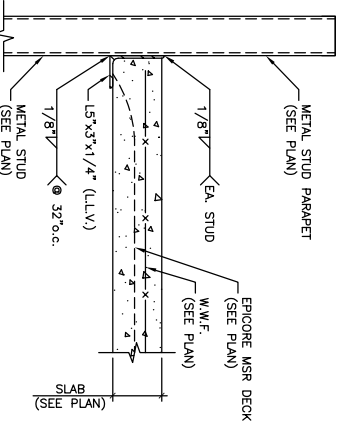
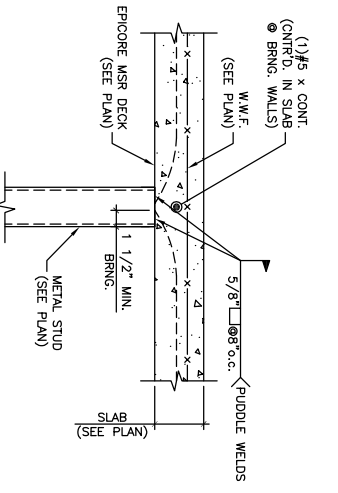


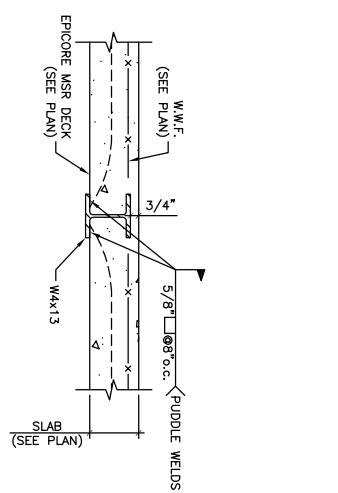
**1** E.O.S. PARALLEL TO DECK  
SCALE 1 1/2"=1'-0"



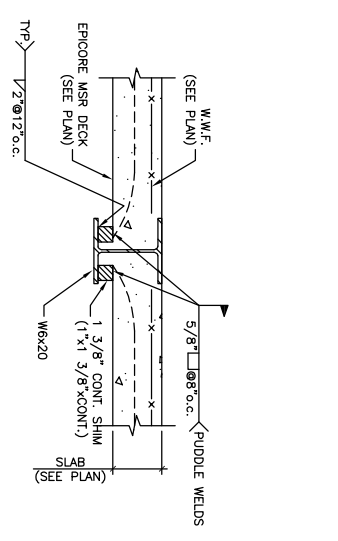
**2** EDGE-OF-SLAB PERP TO DECK  
SCALE 1 1/2"=1'-0"



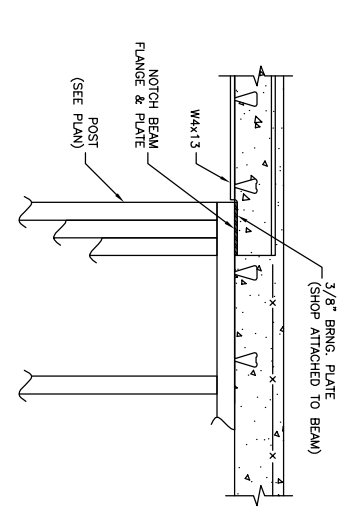
**3** TYP INTERIOR BRNG WALL  
SCALE 1 1/2"=1'-0"



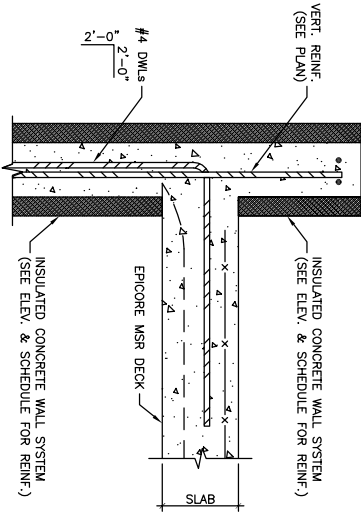
**4** TYP INTERIOR BRNG BEAM  
SCALE 1 1/2"=1'-0"



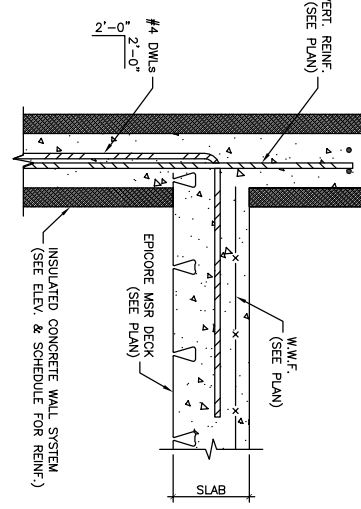
**5** INTERIOR BRNG BEAM W/ SHIMS  
SCALE 1 1/2"=1'-0"



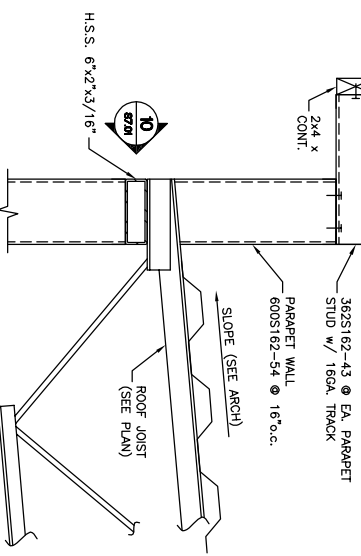
**6** BEAM NOTCH AT PANEL  
SCALE 1 1/2"=1'-0"



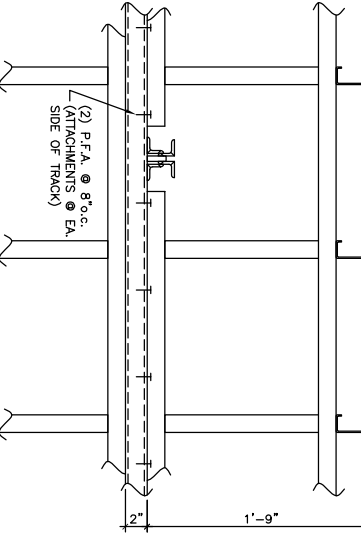
**7** DECK BRNG. AT ICF (PERP.)  
SCALE 1 1/2"=1'-0"



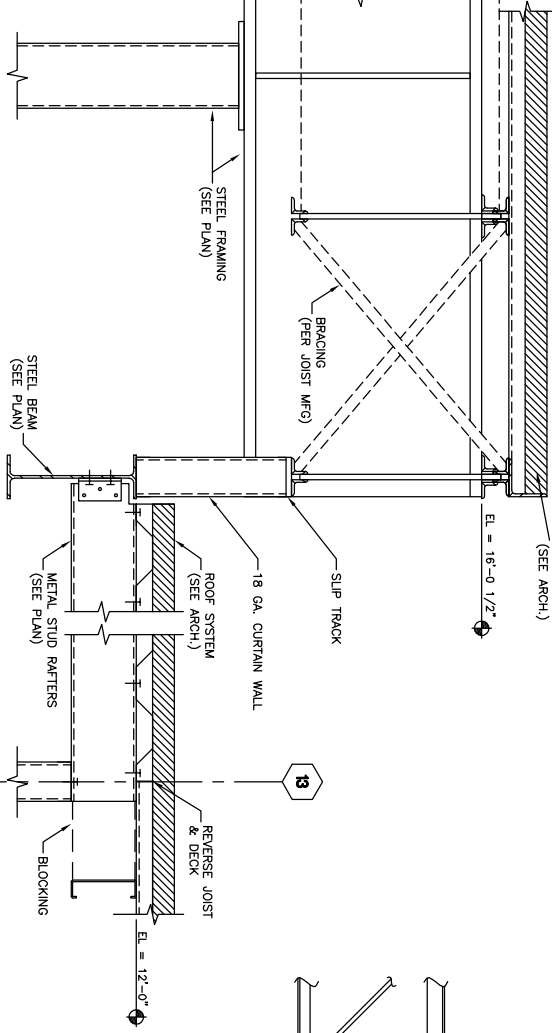
**8** DECK SUPPORT AT ICF (PARALLEL)  
SCALE 1 1/2"=1'-0"



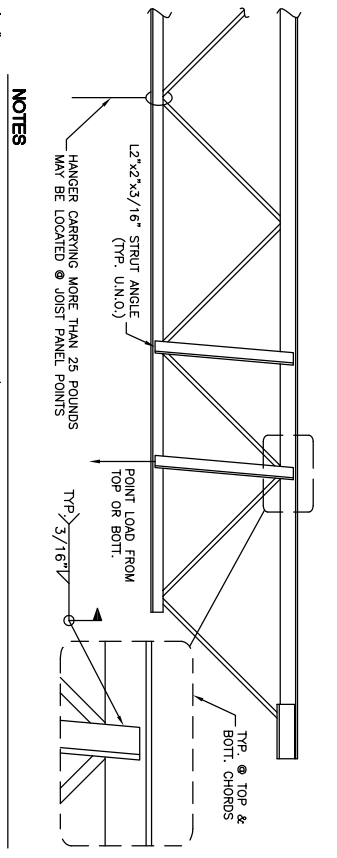
**9** JOIST BRNG. AT MEETING RM. (W/ PARAPET)  
SCALE 1 1/2"=1'-0"



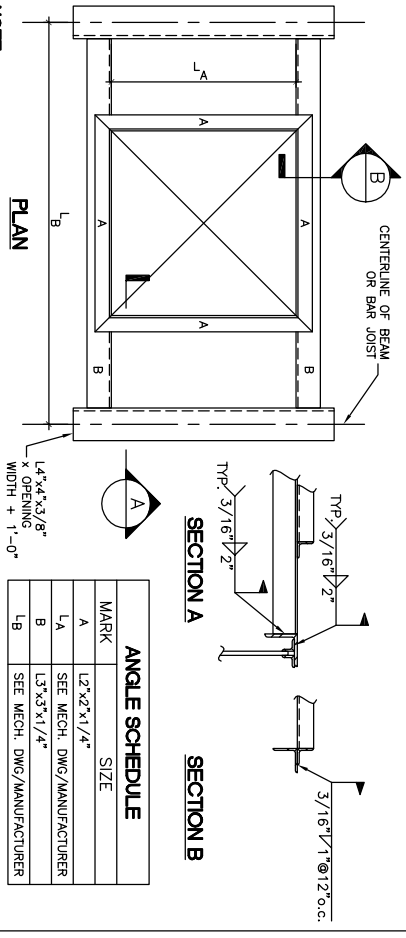
**10** JOIST BRNG. AT MEETING RM. (W/ PARAPET)  
SCALE 1 1/2"=1'-0"



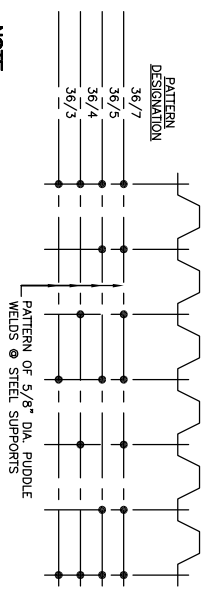
**11** MEETING ROOM ROOF SECTION  
SCALE 1 1/2"=1'-0"



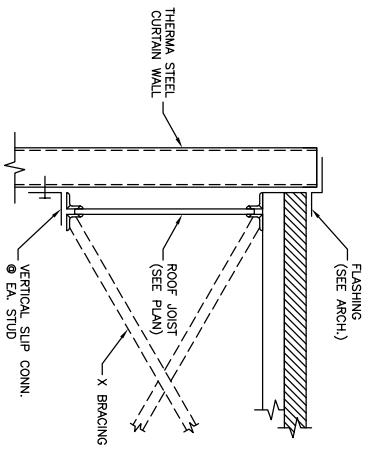
**12** TYP. JOIST STRUT DETAIL AT POINT LOADS  
SCALE N.T.S.



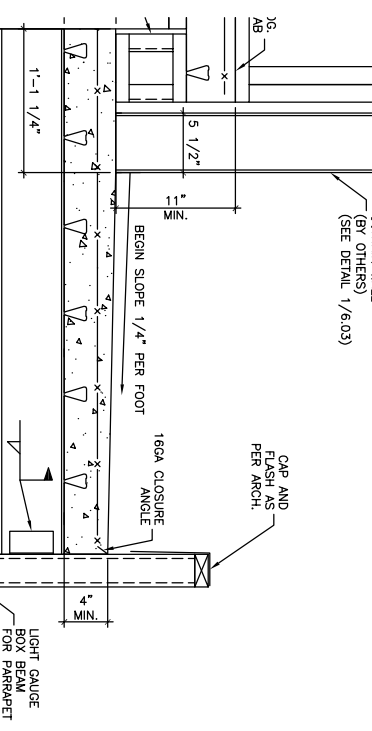
**13** TYP. ROOF OPENING DETAIL  
SCALE N.T.S.



**14** TYP. METAL DECK FASTENER DETAIL  
SCALE N.T.S.



**15** CURTAIN WALL AT MEETING RM.  
SCALE 1 1/2"=1'-0"



**16** CANOPY FRAMING  
SCALE 1 1/2"=1'-0"

- NOTES**
1. CONTRACTOR COORDINATE CONDITIONS w/ MECH. EQUIPMENT LOCATIONS.
  2. LIMIT ONE LOAD OF 25 POUNDS @ LOCATIONS OTHER THAN PANEL POINTS REQUIRED STRUT ANGLES.
  3. JOIST BOTTOM CHORDS MAY BE DESIGNED FOR HIGHER POINT LOADS TO ELIMINATE SOME OR ALL CONTRACTORS OPTION. SLOPE DESIGN CRITERIA SHALL BE CLEARLY INDICATED ON JOIST SHOP DRAWINGS.
  4. SEE DETAIL 7/57.01 FOR TYP. ROOF OPENING FRAMING.

- NOTE**
1. THIS DETAIL APPLIES TO ALL ROOF OPENINGS THAT ARE 12"x12" OR GREATER
  2. THIS DETAIL APPLIES TO ALL ROOF OPENINGS THAT HAVE A COMPRESSION RING OR COLLAR THAT MAY TRANSFER LOADING TO THE DECK DIAPHRAGM.
  3. SEE DETAIL 6/57.01 FOR TYP. JOIST STRUT REQUIREMENT.

**NOTE**

SEE PLAN NOTES FOR TYP. FASTENER PATTERN DESIGNATION & SIDE LAP REQUIREMENTS FOR THIS PROJECT.